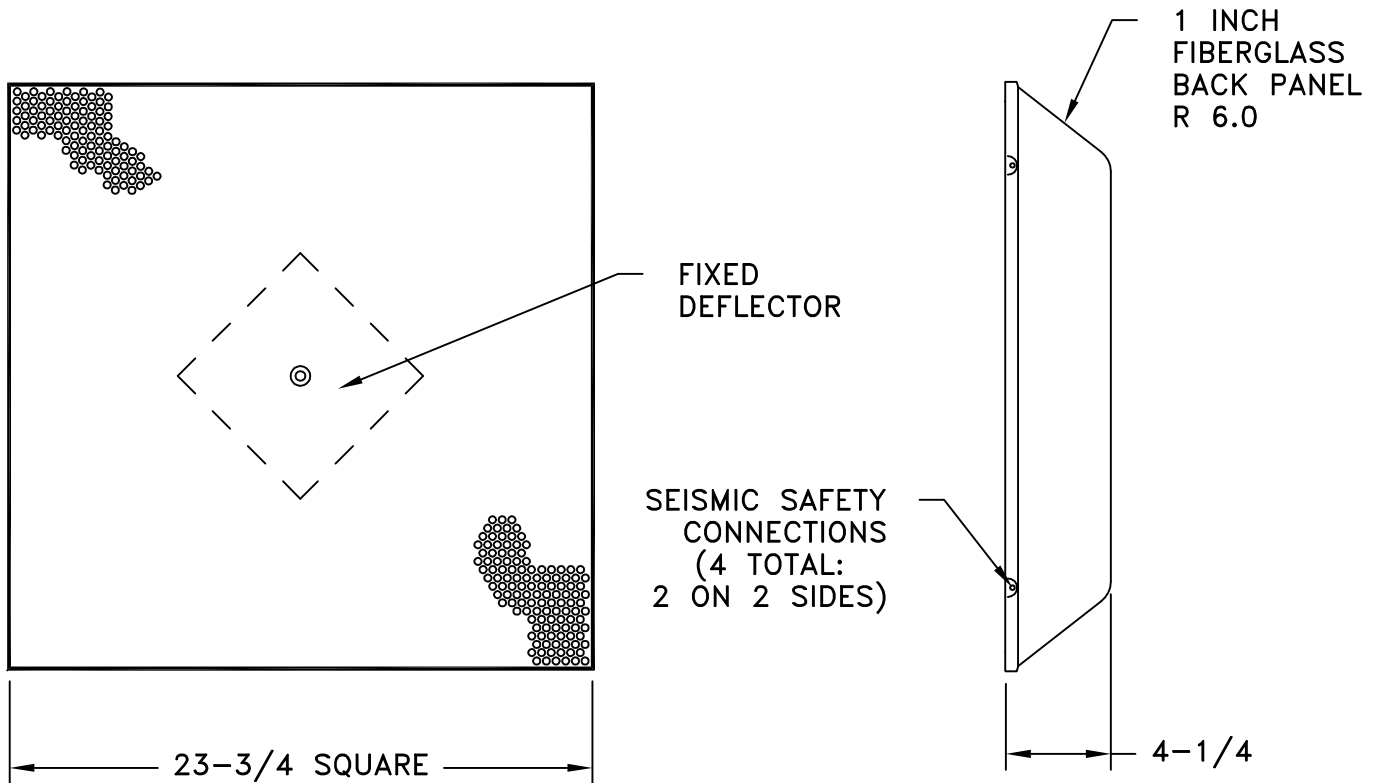


- FITS STANDARD 2' X 2' T-BAR CEILING SYSTEMS
- BONDED FOIL VAPOR BARRIER HELPS MINIMIZE CONDENSATION PROBLEMS
- FIBERGLASS BACK R 6.0 ABSORBS SOUND
- PRESCORED BACK ACCEPTS 6 TO 18 INCH SPIN OR TAB COLLARS
- 360 DEGREE AIR DIFFUSION
- FINISH: WHITE (W)



JOB NAME: \_\_\_\_\_  
 LOCATION: \_\_\_\_\_  
 ARCHITECT: \_\_\_\_\_  
 ENGINEER: \_\_\_\_\_  
 CONTRACTOR: \_\_\_\_\_

SUBMITTED BY: \_\_\_\_\_

DATE: 04/23/2013 | AMF-43

**6006 R6**  
 Perforated T-Bar Diffusers  
 Fiberglass Back