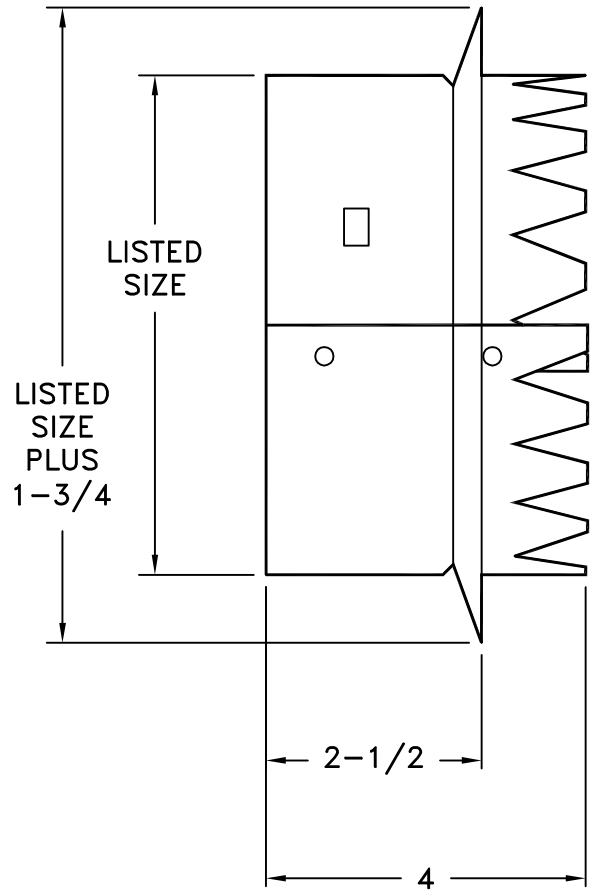
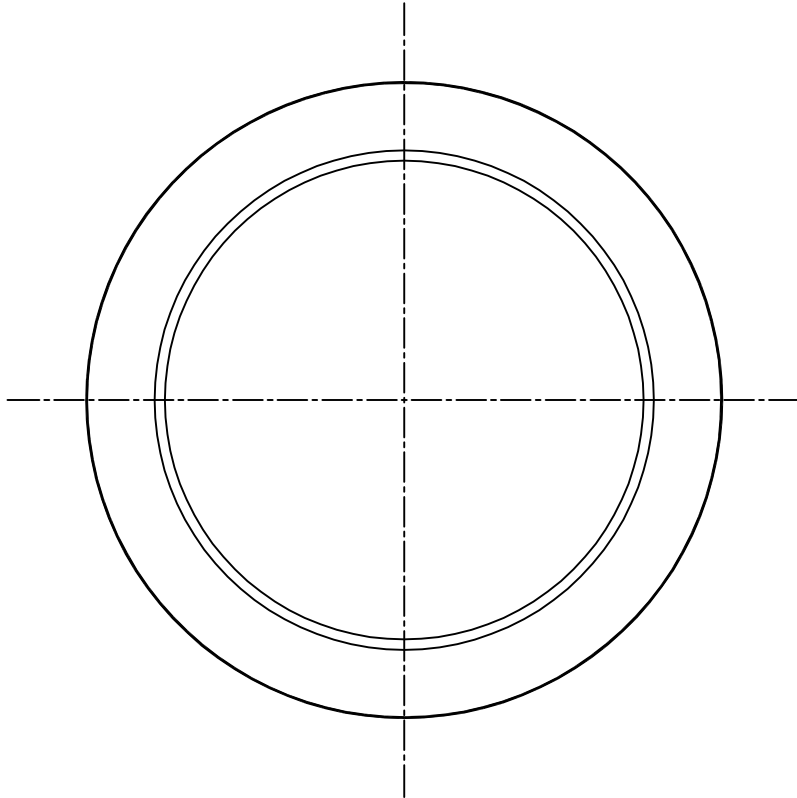


- GALVANIZED STEEL
- ACCEPTS G1700, OR RD DAMPERS
- SIZES AVAILABLE: 6, 8, 10, 12, & 14
- USED ON MOLDED FIBERGLASS AND DUCT BOARD BACKS



JOB NAME: \_\_\_\_\_  
LOCATION: \_\_\_\_\_  
ARCHITECT: \_\_\_\_\_  
ENGINEER: \_\_\_\_\_  
CONTRACTOR: \_\_\_\_\_

SUBMITTED BY: \_\_\_\_\_

DATE: 04/23/2013 | AMF-53  
**G5000C**  
Tab Collar