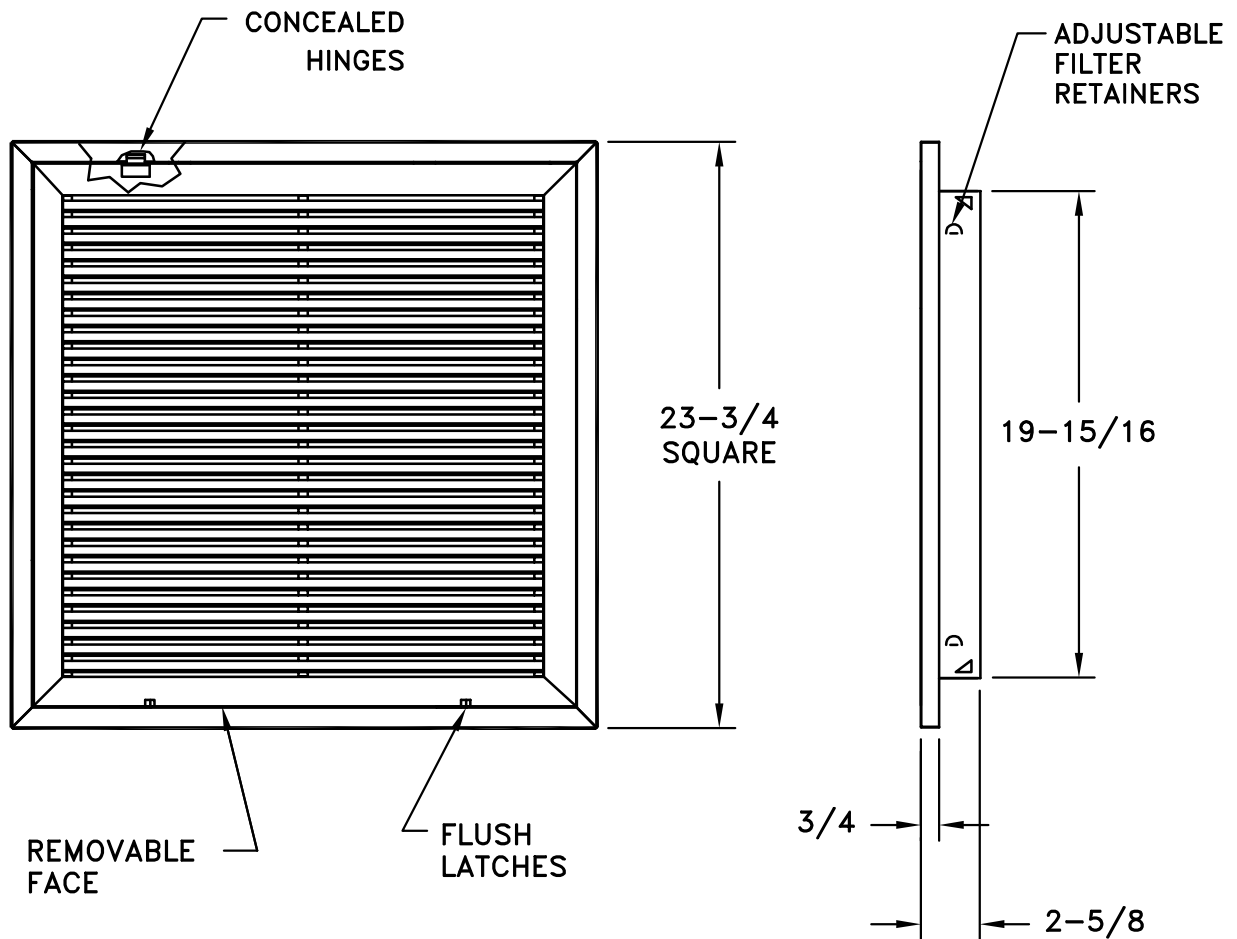


- STEEL CONSTRUCTION
- REMOVABLE FACE WITH CONCEALED HINGES AND FLUSH LATCHES
- 3/4 INCH SPACED FINS SET AT 35 DEGREES
- USES NOMINAL 1 x 20 x 20 INCH DISPOSABLE FILTERS
- EQUIPPED WITH FILTER RETAINERS
- FINISH: WHITE (W) ENAMEL



JOB NAME: \_\_\_\_\_  
LOCATION: \_\_\_\_\_  
ARCHITECT: \_\_\_\_\_  
ENGINEER: \_\_\_\_\_  
CONTRACTOR: \_\_\_\_\_

SUBMITTED BY: \_\_\_\_\_

DATE: 9/28/11

AMF-46

**490T**  
Steel 2 x 2 T-Bar  
Fixed Bar Filter Grille