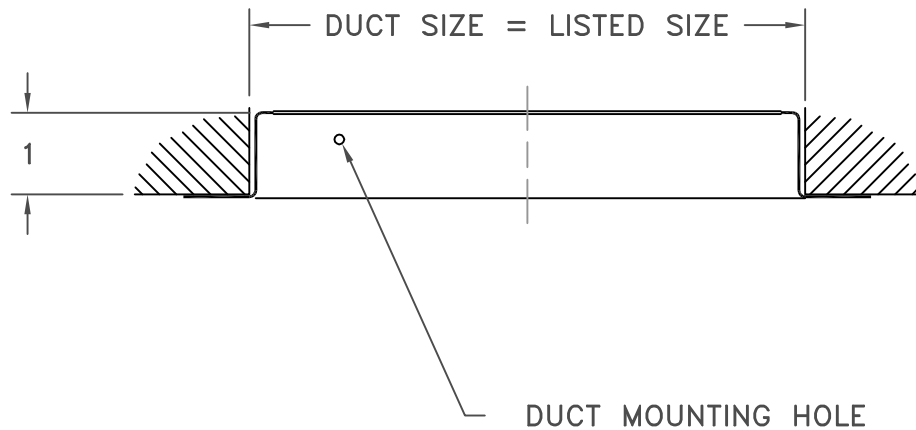
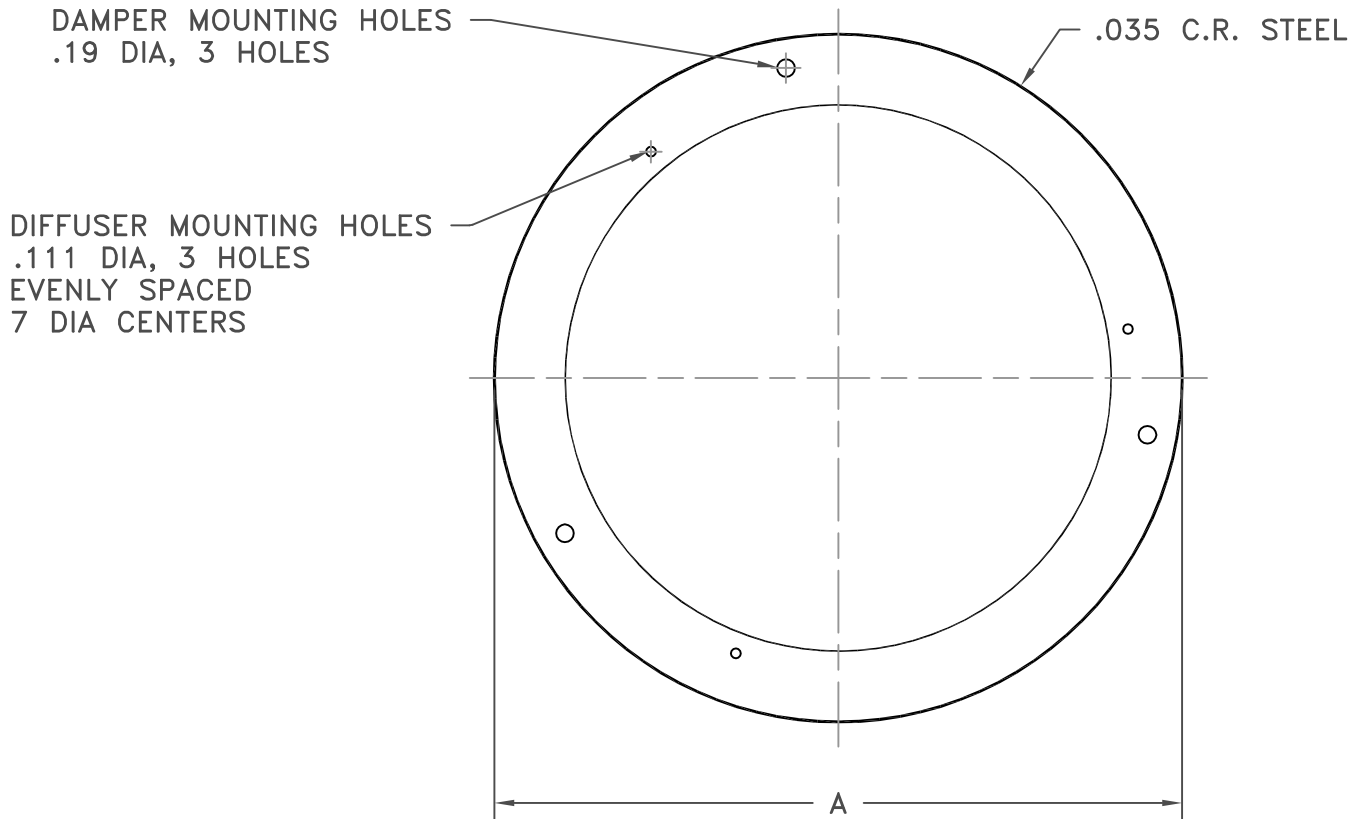


- ALL STEEL CONSTRUCTION
- FINISH: BROWN (B) ENAMEL



SIZE	A
6	7-1/2
8	9-1/2
10	10-7/8
12	12-7/8
14	14-7/8
18	18-13/16

JOB NAME: _____	SUBMITTED BY: _____	DATE: 04/17/2013	AMF-33
LOCATION: _____		NO. 1900 Duct Ring	
ARCHITECT: _____			
ENGINEER: _____			
CONTRACTOR: _____			