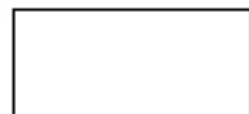
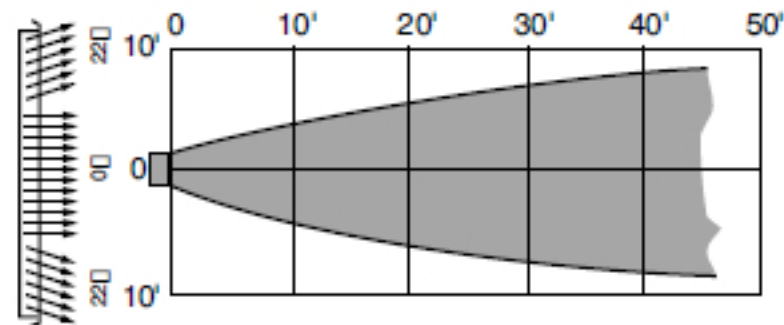
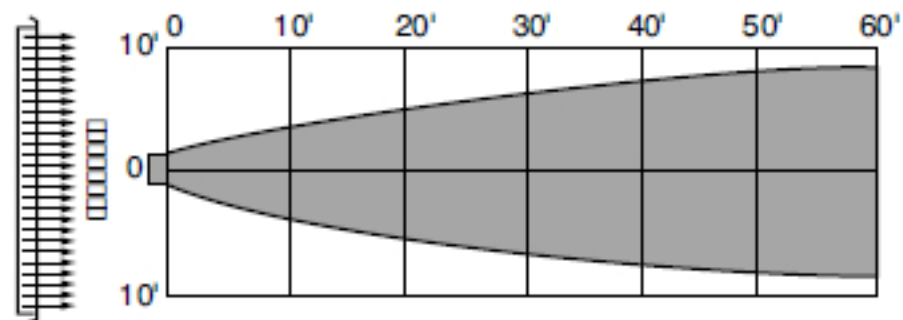


Deflection A

Face Velocity		400	500	600	700	800	900	1000	1100	1200	1300	1400	1600	1800	2000
Pressure Loss		.010	.016	.022	.031	.040	.050	.062	.075	.090	.105	.122	.160	.202	.249
8 x 4 Ak .156	CFM	60	80	95	110	125	140	155	170	185	205	220	250	280	310
	Throw	6.5	8.0	10.0	12.0	13.0	15.0	16.0	18.0	19.0	22.0	23.0	26.0	29.0	33.0
10 x 4 Ak .198	CFM	80	100	120	140	160	180	200	220	240	260	275	315	355	395
	Throw	7.5	9.5	12.0	13.0	15.0	17.0	19.0	20.0	22.0	24.0	26.0	29.0	33.0	37.0
12 x 4 Ak .240	CFM	95	120	145	170	190	215	240	265	290	310	335	385	430	480
	Throw	8.0	10.0	12.0	14.0	16.0	18.0	20.0	22.0	25.0	26.0	28.0	33.0	36.0	41.0
14 x 4 Ak .282	CFM	115	140	170	195	225	255	280	310	340	365	395	450	510	565
	Throw	9.0	11.0	13.0	15.0	18.0	20.0	22.0	24.0	27.0	29.0	31.0	35.0	40.0	44.0
12 x 5 Ak .310	CFM	125	155	185	215	250	280	310	340	370	405	435	495	560	620
	Throw	9.0	12.0	14.0	16.0	19.0	21.0	23.0	25.0	28.0	30.0	32.0	37.0	42.0	46.0
10 x 6 Ak .313	CFM	125	155	190	220	250	280	315	345	375	405	440	500	565	625
	Throw	9.0	12.0	14.0	16.0	19.0	21.0	23.0	26.0	28.0	30.0	33.0	37.0	42.0	46.0
14 x 5 Ak .364	CFM	145	180	220	255	290	330	365	400	435	475	510	580	655	730
	Throw	10.0	12.0	15.0	18.0	20.0	23.0	25.0	28.0	30.0	33.0	35.0	40.0	45.0	50.0
12 x 6 Ak .379	CFM	150	190	225	265	305	340	380	415	455	495	530	605	680	760
	Throw	10.0	13.0	15.0	18.0	21.0	23.0	26.0	28.0	31.0	33.0	36.0	41.0	46.0	51.0
16 x 5 Ak .418	CFM	165	210	250	295	335	375	420	460	500	545	585	670	750	835
	Throw	11.0	13.0	16.0	19.0	22.0	24.0	27.0	30.0	32.0	35.0	38.0	43.0	48.0	54.0
14 x 6 Ak .446	CFM	180	225	270	310	355	400	445	490	535	580	625	715	805	890
	Throw	11.0	14.0	17.0	19.0	22.0	25.0	28.0	30.0	33.0	36.0	39.0	44.0	50.0	55.0
16 x 6 Ak .512	CFM	205	255	305	360	410	460	510	565	615	665	715	820	920	1025
	Throw	11.0	14.0	17.0	20.0	22.0	25.0	28.0	31.0	34.0	36.0	39.0	45.0	50.0	56.0
20 x 5 Ak .526	CFM	210	265	315	370	420	475	525	580	630	685	735	840	945	1050
	Throw	12.0	15.0	18.0	21.0	24.0	27.0	30.0	33.0	36.0	39.0	42.0	48.0	54.0	60.0
24 x 5 Ak .634	CFM	255	315	380	445	505	570	635	695	760	825	890	1015	1140	1270
	Throw	13.0	16.0	20.0	23.0	26.0	30.0	33.0	36.0	40.0	43.0	46.0	53.0	59.0	66.0
20 x 6 Ak .645	CFM	260	325	385	450	515	580	645	710	775	840	905	1030	1160	1290
	Throw	13.0	17.0	20.0	23.0	27.0	30.0	33.0	37.0	40.0	43.0	47.0	53.0	60.0	67.0
24 x 6 Ak .777	CFM	310	390	465	545	620	700	775	855	930	1010	1090	1245	1400	1555
	Throw	15.0	18.0	22.0	26.0	29.0	33.0	37.0	40.0	44.0	48.0	51.0	59.0	66.0	73.0
20 x 8 Ak .882	CFM	355	440	530	615	705	795	880	970	1060	1145	1235	1410	1590	1765
	Throw	16.0	19.0	23.0	27.0	31.0	35.0	39.0	43.0	47.0	51.0	55.0	62.0	70.0	78.0
30 x 6 Ak .976	CFM	390	490	585	685	780	880	975	1075	1170	1270	1365	1560	1755	1950
	Throw	16.0	21.0	25.0	29.0	33.0	37.0	41.0	45.0	49.0	53.0	57.0	66.0	74.0	82.0
24 x 8 Ak 1.060	CFM	425	530	635	740	850	955	1060	1165	1270	1380	1485	1695	1910	2120
	Throw	17.0	21.0	23.0	30.0	34.0	38.0	43.0	47.0	51.0	56.0	60.0	68.0	77.0	85.0
30 x 8 Ak 1.340	CFM	535	670	805	940	1070	1205	1340	1475	1610	1740	1875	2145	2410	2680
	Throw	19.0	24.0	29.0	34.0	38.0	43.0	48.0	53.0	58.0	62.0	67.0	77.0	87.0	96.0
24 x 10 Ak 1.350	CFM	540	675	810	945	1080	1215	1350	1485	1620	1755	1890	2160	2430	2700
	Throw	19.0	24.0	29.0	34.0	39.0	43.0	48.0	53.0	58.0	63.0	68.0	77.0	87.0	97.0
36 x 8 Ak 1.610	CFM	645	805	965	1125	1290	1450	1610	1770	1930	2095	2255	2575	2900	3220
	Throw	21.0	26.0	32.0	37.0	42.0	47.0	52.0	58.0	63.0	68.0	73.0	84.0	94.0	105.0
24 x 12 Ak 1.640	CFM	655	820	985	1150	1310	1475	1640	1805	1970	2130	2295	2625	2950	3280
	Throw	21.0	27.0	32.0	37.0	43.0	48.0	53.0	59.0	64.0	69.0	75.0	85.0	96.0	107.0
30 x 10 Ak 1.690	CFM	675	845	1015	1185	1350	1520	1690	1860	2030	2195	2365	2705	3040	3380
	Throw	21.0	27.0	32.0	38.0	43.0	48.0	54.0	59.0	65.0	70.0	75.0	86.0	97.0	108.0
36 x 10 Ak 2.040	CFM	815	1020	1225	1430	1630	1835	2040	2245	2450	2650	2855	3285	3670	4080
	Throw	24.0	30.0	36.0	42.0	47.0	53.0	59.0	65.0	71.0	77.0	83.0	95.0	107.0	119.0
30 x 12 Ak 2.050	CFM	820	1025	1230	1435	1640	1845	2050	2255	2460	2665	2870	3280	3690	4100
	Throw	24.0	30.0	36.0	42.0	48.0	54.0	59.0	65.0	71.0	77.0	83.0	95.0	107.0	119.0
36 x 12 Ak 2.470	CFM	990	1235	1480	1730	1975	2225	2470	2715	2965	3210	3460	3950	4451	4940
	Throw	26.0	33.0	39.0	46.0	52.0	59.0	65.0	72.0	78.0	85.0	91.0	104.0	114.0	130.0

Deflection C

Face Velocity		400	500	600	700	800	900	1000	1100	1200	1300	1400	1600	1800	2000
Pressure Loss		.010	.016	.022	.031	.040	.050	.062	.075	.090	.105	.122	.160	.202	.249
8 x 4 Ak .141	CFM	55	70	85	100	115	125	140	155	170	185	195	225	255	280
	Throw	5.0	6.5	7.5	9.0	10.0	11.0	13.0	14.0	15.0	17.0	18.0	20.0	23.0	25.0
10 x 4 Ak .178	CFM	70	90	105	125	140	160	180	195	215	230	250	285	320	355
	Throw	5.5	7.0	8.5	10.0	11.0	13.0	14.0	16.0	17.0	18.0	20.0	23.0	26.0	29.0
12 x 4 Ak .216	CFM	85	110	130	150	175	195	215	240	260	280	300	345	390	430
	Throw	6.0	8.0	9.5	11.0	13.0	14.0	16.0	18.0	19.0	20.0	22.0	25.0	28.0	31.0
14 x 4 Ak .254	CFM	100	125	150	180	205	230	255	280	305	330	355	405	455	510
	Throw	7.0	8.5	10.0	12.0	14.0	16.0	17.0	19.0	21.0	22.0	24.0	27.0	31.0	34.0
12 x 5 Ak .279	CFM	110	140	165	195	225	250	280	305	335	365	390	445	500	560
	Throw	7.0	9.0	11.0	13.0	14.0	16.0	18.0	20.0	22.0	23.0	25.0	29.0	32.0	36.0
10 x 6 Ak .282	CFM	115	140	170	195	225	255	280	310	340	365	395	450	510	565
	Throw	7.5	9.0	11.0	12.0	14.0	16.0	18.0	20.0	22.0	23.0	25.0	29.0	33.0	36.0
14 x 5 Ak .328	CFM	130	165	195	230	260	295	330	360	395	425	460	525	590	655
	Throw	7.5	10.0	12.0	14.0	15.0	17.0	20.0	21.0	23.0	25.0	27.0	31.0	35.0	39.0
12 x 6 Ak .342	CFM	135	170	205	240	275	310	340	375	410	445	480	545	615	685
	Throw	8.0	10.0	12.0	14.0	16.0	18.0	20.0	22.0	24.0	26.0	28.0	32.0	36.0	40.0
16 x 5 Ak .377	CFM	150	190	225	265	300	340	375	415	450	490	525	605	680	755
	Throw	8.5	11.0	12.0	15.0	17.0	19.0	21.0	23.0	25.0	27.0	29.0	34.0	38.0	41.0
14 x 6 Ak .412	CFM	165	205	245	290	330	370	410	455	495	535	575	660	740	825
	Throw	9.0	11.0	13.0	16.0	18.0	20.0	22.0	24.0	27.0	28.0	31.0	35.0	40.0	44.0
16 x 6 Ak .462	CFM	185	230	275	325	370	415	460	510	555					



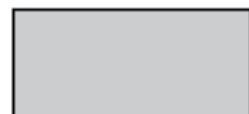
*NC 30



NC 35



NC 40



**NC 45

* less than or equal to

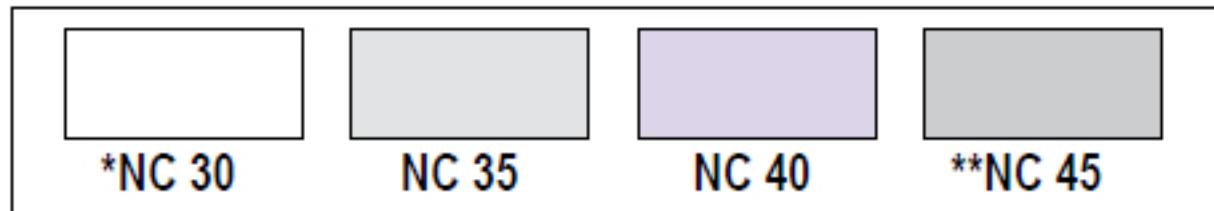
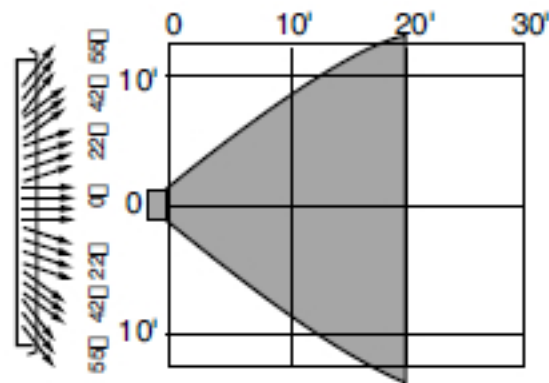
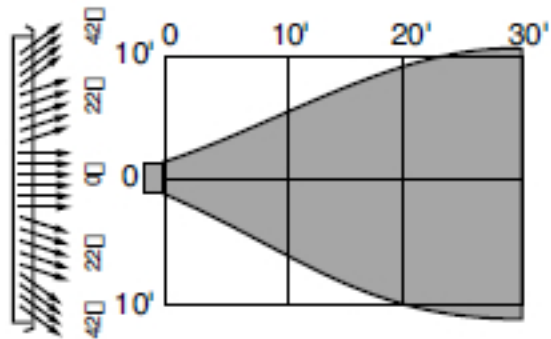
** greater than or equal to

Deflection E

Face Velocity		400	500	600	700	800	900	1000	1100	1200	1300	1400	1600	1800	2000
Pressure Loss		.010	.016	.022	.031	.040	.050	.062	.075	.090	.105	.122	.160	.202	.249
8 x 4	CFM	45	60	70	85	95	105	120	130	140	155	165	190	210	235
Ak .127	Throw	2.5	3.5	4.0	5.0	5.5	6.0	6.5	7.5	8.0	8.5	9.5	11.0	12.0	13.0
10 x 4	CFM	60	75	90	105	120	135	150	165	180	195	210	240	270	300
Ak .162	Throw	3.0	3.5	4.5	5.0	6.0	6.5	7.5	8.0	9.0	9.5	10.0	12.0	13.0	15.0
12 x 4	CFM	80	100	120	140	160	175	195	215	235	255	275	315	355	395
Ak .197	Throw	4.5	6.0	7.5	8.5	10.0	11.0	12.0	13.0	14.0	16.0	17.0	19.0	22.0	24.0
14 x 4	CFM	90	115	140	160	185	210	230	255	275	300	325	370	415	460
Ak .231	Throw	5.0	6.5	8.0	9.0	11.0	12.0	13.0	14.0	16.0	17.0	18.0	21.0	23.0	26.0
12 x 5	CFM	100	125	150	180	205	230	255	280	305	330	355	405	455	510
Ak .254	Throw	5.5	6.5	8.0	9.5	12.0	12.0	14.0	15.0	16.0	18.0	19.0	22.0	25.0	27.0
10 x 6	CFM	105	130	155	180	205	230	255	285	310	335	360	410	465	515
Ak .257	Throw	5.5	7.5	8.5	9.5	11.0	12.0	14.0	15.0	17.0	18.0	19.0	22.0	25.0	28.0
14 x 5	CFM	120	150	180	210	240	270	300	330	360	385	415	475	535	595
Ak .291	Throw	6.0	7.5	9.0	10.0	12.0	13.0	15.0	16.0	18.0	19.0	21.0	24.0	27.0	30.0
12 x 6	CFM	125	155	185	220	250	280	310	340	375	405	435	500	560	620
Ak .311	Throw	6.0	7.5	9.0	11.0	12.0	14.0	15.0	17.0	18.0	20.0	21.0	24.0	28.0	30.0
16 x 5	CFM	135	170	205	240	275	310	345	375	410	445	480	550	615	685
Ak .343	Throw	6.5	8.0	9.5	11.0	13.0	14.0	16.0	17.0	19.0	21.0	22.0	26.0	29.0	32.0
14 x 6	CFM	145	185	220	255	290	330	365	400	440	475	510	585	655	730
Ak .365	Throw	6.5	8.5	10.0	11.0	13.0	15.0	16.0	18.0	20.0	21.0	23.0	26.0	29.0	33.0
16 x 6	CFM	170	215	240	300	345	390	430	475	545	560	605	690	775	860
Ak .431	Throw	7.0	9.0	11.0	12.0	14.0	16.0	18.0	20.0	21.0	23.0	25.0	28.0	32.0	36.0
20 x 5	CFM	190	235	280	330	375	425	470	515	565	610	660	750	845	940
Ak .470	Throw	7.5	9.5	11.0	13.0	15.0	17.0	19.0	20.0	22.0	24.0	26.0	30.0	33.0	37.0
24 x 5	CFM	210	260	310	365	415	470	520	570	625	675	730	830	935	1040
Ak .520	Throw	8.0	10.0	12.0	14.0	16.0	18.0	20.0	21.0	24.0	25.0	27.0	31.0	35.0	39.0
20 x 6	CFM	210	265	315	370	420	475	530	580	635	685	740	845	950	1055
Ak .528	Throw	8.0	10.0	12.0	14.0	16.0	18.0	20.0	22.0	24.0	26.0	28.0	32.0	35.0	39.0
24 x 6	CFM	255	320	380	445	510	575	635	700	765	830	890	1020	1145	1275
Ak .637	Throw	8.5	11.0	13.0	15.0	17.0	20.0	22.0	24.0	26.0	28.0	30.0	35.0	39.0	43.0
20 x 8	CFM	290	360	435	505	580	650	725	795	870	940	1010	1155	1300	1445
Ak .723	Throw	9.0	12.0	14.0	16.0	19.0	21.0	23.0	25.0	28.0	30.0	32.0	37.0	42.0	46.0
30 x 6	CFM	320	400	480	560	640	720	800	880	960	1040	1120	1280	1440	1600
Ak .800	Throw	10.0	12.0	15.0	17.0	19.0	22.0	24.0	27.0	29.0	32.0	34.0	39.0	44.0	49.0
24 x 8	CFM	350	435	525	610	700	785	870	960	1045	1135	1220	1400	1570	1745
Ak .872	Throw	10.0	13.0	15.0	18.0	20.0	23.0	25.0	28.0	30.0	33.0	36.0	41.0	48.0	51.0
30 x 8	CFM	435	545	655	765	870	980	1090	1200	1310	1415	1525	1745	1980	2180
Ak 1.090	Throw	11.0	14.0	17.0	20.0	23.0	25.0	28.0	31.0	34.0	37.0	40.0	45.0	51.0	57.0
24 x 10	CFM	445	555	665	775	890	1000	1110	1220	1330	1445	1555	1775	2000	2220
Ak 1.110	Throw	11.0	14.0	17.0	20.0	23.0	26.0	29.0	31.0	34.0	37.0	40.0	46.0	52.0	57.0
36 x 8	CFM	530	660	790	925	1055	1190	1320	1450	1585	1715	1850	2110	2375	2640
Ak 1.320	Throw	14.0	17.0	21.0	24.0	27.0	31.0	34.0	38.0	41.0	45.0	48.0	55.0	62.0	69.0
24 x 12	CFM	535	670	805	940	1070	1205	1340	1475	1610	1740	1875	2145	2410	2680
Ak 1.340	Throw	13.0	16.0	19.0	22.0	25.0	28.0	31.0	35.0	38.0	41.0	44.0	50.0	57.0	63.0
30 x 10	CFM	555	695	835	975	1110	1250	1390	1530	1670	1805	1945	2225	2500	2780
Ak 1.390	Throw	13.0	16.0	19.0	22.0	26.0	29.0	32.0	38.0	38.0	42.0	45.0	51.0	58.0	64.0
36 x 10	CFM	670	835	1000	1170	1335	1505	1670	1835	2005	2170	2340	2670	3005	3340
Ak 1.670	Throw	14.0	18.0	21.0	25.0	28.0	32.0	35.0	39.0	42.0	46.0	49.0	56.0	63.0	70.0
30 x 12	CFM	670	840	1010	1175	1345	1510	1680	1850	2015	2185	2350	2690	3025	3360
Ak 1.680	Throw	14.0	16.0	21.0	25.0	28.0	32.0	35.0	39.0	42.0	46.0	49.0	56.0	63.0	70.0

Deflection G

Face Velocity		400	500	600	700	800	900	1000	1100	1200	1300	1400	1600	1800	2000
Pressure Loss		.010	.016	.022	.031	.040	.050	.062	.075	.090	.105	.122	.160	.202	.249
8 x 4	CFM	45	60	70	85	95	105	120	130	140	155	165	190	210	235
Ak .118	Throw	2.5	3.5	4.0	5.0	5.5	6.0	6.5	7.5	8.0	8.5	9.5	11.0	12.0	13.0
10 x 4	CFM	60	75	90	105	120	135	150	165	180	195	210	240	270	300
Ak .149	Throw	3.0	3.5	4.5	5.0	6.0	6.5	7.5	8.0	9.0	9.5	10.0	12.0	13.0	15.0
12 x 4	CFM	70	90	110	125	145	165	180	200	215	235	255	290	325	360
Ak .181	Throw	3.0	4.0	5.0	5.5	6.5	7.5	8.0	9.0	10.0	11.0	12.0	13.0	15.0	16.0
14 x 4	CFM	85	105	125	150	170	190	210	235	255	275	300	340	380	425
Ak .212	Throw	3.5	4.5	5.0	6.5	7.0	8.0	9.0	10.0	11.0	12.0	13.0	14.0	16.0	18.0
12 x 5	CFM	95	115	140	165	185	210	235	255	280	305	325	375	420	465
Ak .233	Throw	4.0	4.5	5.5	6.5	7.5	8.5	9.5	10.0	11.0	12.0	13.0	15.0	17.0	19.0
10 x 6	CFM	95	120	140	165	190	210	235	260	285	305	330	380	425	470
Ak .236	Throw	4.0	5.0	5.5	6.5	7.5	8.5	9.5	10.0	11.0	12.0	13.0	15.0	17.0	19.0
14 x 5	CFM	110	135	165	190	220	245	275	300	330	355	385	440	495	550
Ak .274	Throw	4.0	5.0	6.0	7.0	8.0	9.0	10.0	11.0	12.0	13.0	14.0	16.0	18.0	20.0
12 x 6	CFM	115	145	170	200	230	255	285	315	345	370	400	460	515	570
Ak .286	Throw	4.0	5.0	6.0	7.0	8.5	9.0	10.0	11.0	12.0	13.0	14.0	17.0	19.0	21.0
16 x 5	CFM	125	160	190	220	250	285	315	345	380	410	440	505	565	630
Ak .315	Throw	4.5	5.5	6.5	7.5	8.5	10.0	11.0	12.0	13.0	14.0	15.0	17.0	19.0	22.0
14 x 6	CFM	135	170	200	235	270	300	335	370	405	435	470	540	605	670
Ak .336	Throw	4.5	5.5	6.5	8.0	9.0	10.0	11.0	12.0	13.0	13.0	16.0	18.0	20.0	22.0
16 x 6	CFM	155	195	230	270	310	345	385	425	465	500	540	620	695	770
Ak .386	Throw	4.5	5.5	6.5	8.0	9.0	10.0	11.0	12.0	14.0	15.0	16.0	18.0	20.0	23.0
20 x 5	CFM	160	200	240	280	320	355	395	435	475	515	555	635	715	795
Ak .397	Throw	5.0	6.0	7.5	8.5	10.0	11.0	12.0	13.0						



* less than or equal to

** greater than or equal to