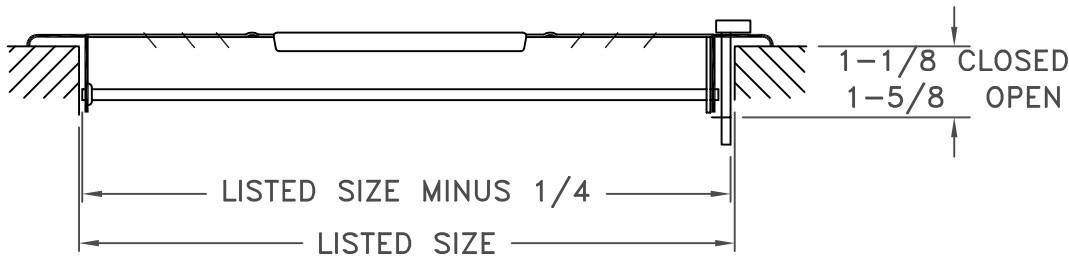
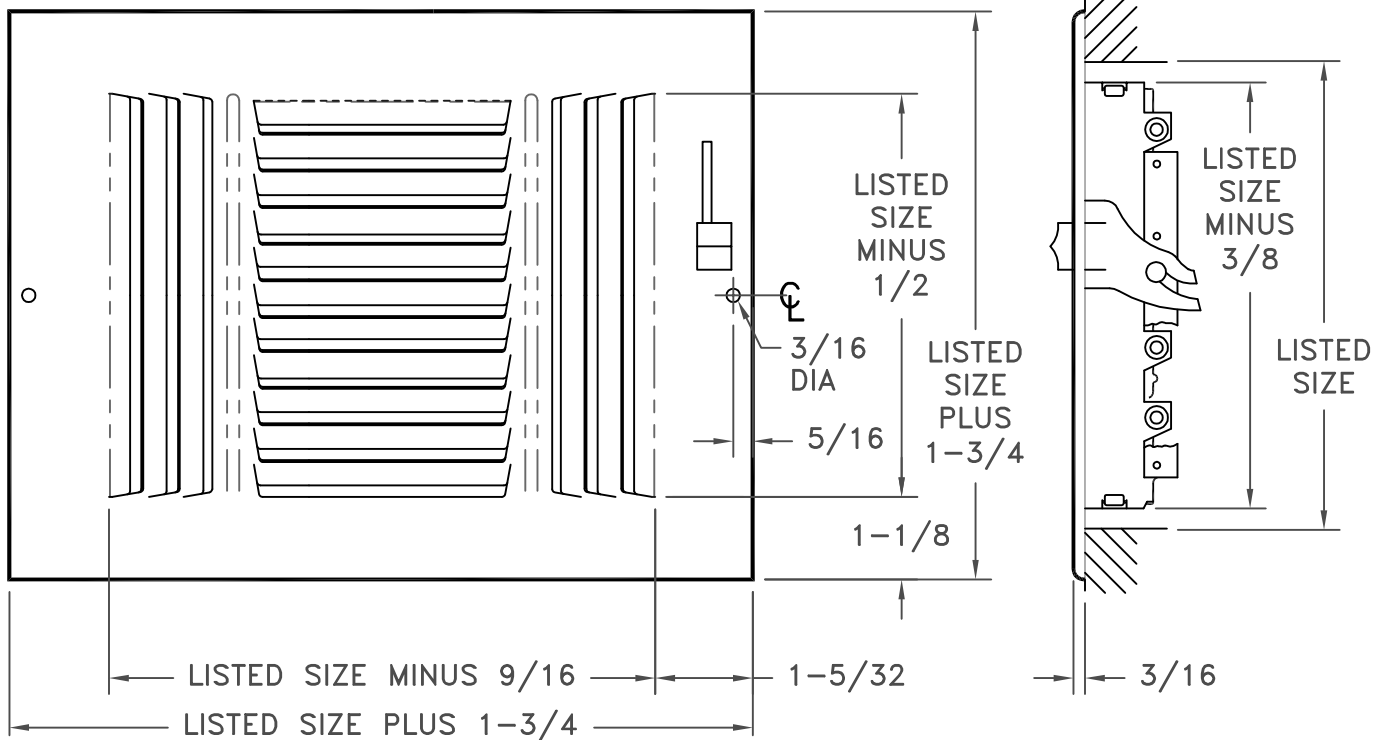


- ALUMINUM CONSTRUCTION
- INTEGRAL STEEL MULTI-SHUTTER DAMPER
- 1/2 INCH SPACED FINS SET AT 40 DEGREES
- 3-WAY DEFLECTION
- FOR HEATING OR COOLING
- FINISH: WHITE (W) ENAMEL



JOB NAME: _____
 LOCATION: _____
 ARCHITECT: _____
 ENGINEER: _____
 CONTRACTOR: _____

SUBMITTED BY: _____

DATE: 4/15/2013

AMF-04

A383

Aluminum 3-Way
 Ceiling Or Sidewall Register