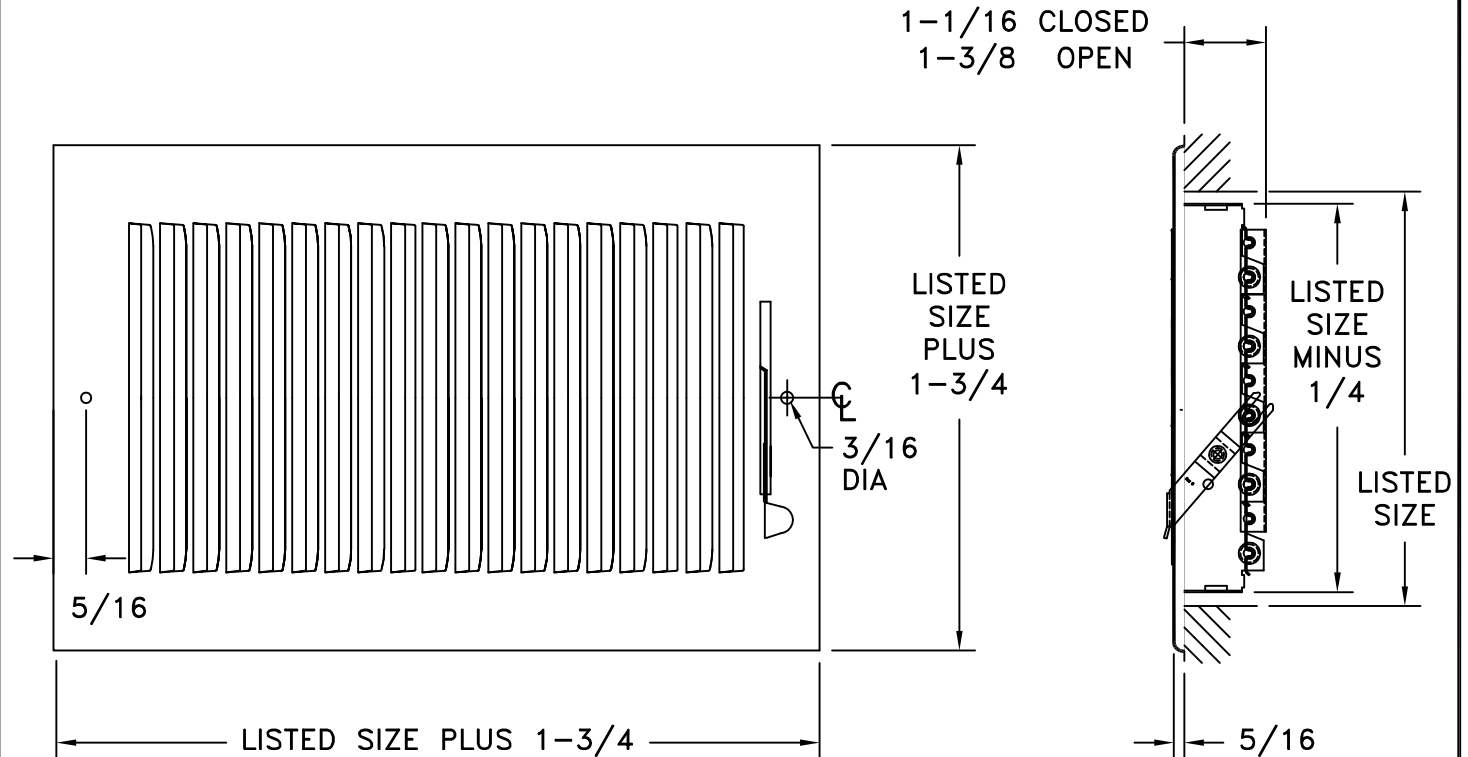
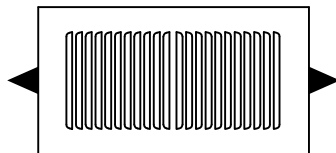


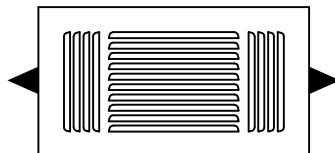
- ALL STEEL CONSTRUCTION
- INTEGRAL MULTI-SHUTTER DAMPER W/ METAL LEVER
- 1/2 INCH SPACED FINS SET AT 40 DEGREES
- SIZES OFFERED VARY BY FACE STYLE
- FOR HEATING OR COOLING
- FINISH: WHITE (W) ENAMEL



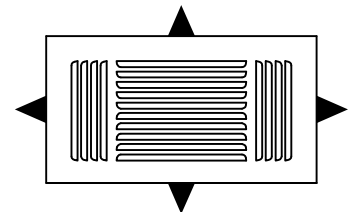
381



382



383



384

DAMPER AND DIMENSIONS ARE TYPICAL FOR ALL DEFLECTIONS

| | | | |
|-------------------|---------------------|------------------------------|--------|
| JOB NAME: _____ | SUBMITTED BY: _____ | DATE: 4/15/2013 | AMF-01 |
| LOCATION: _____ | | 380 | |
| ARCHITECT: _____ | | Stamped Steel | |
| ENGINEER: _____ | | Ceiling Or Sidewall Register | |
| CONTRACTOR: _____ | | | |