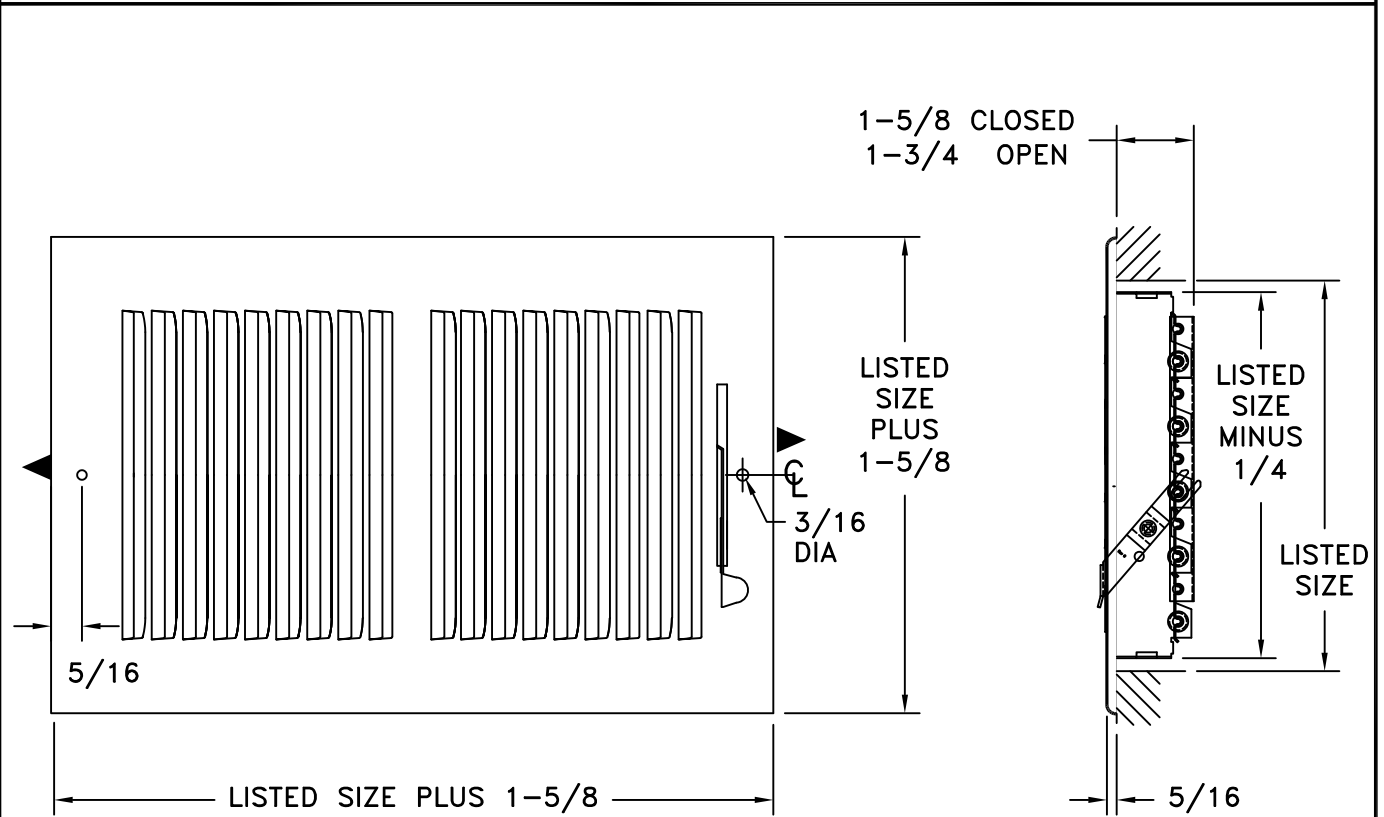
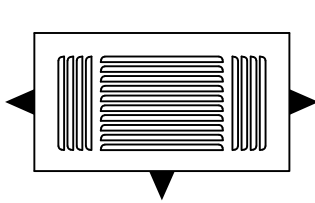


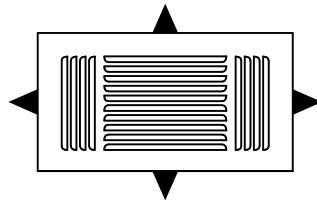
- ALL STEEL CONSTRUCTION
- INTEGRAL MULTI-SHUTTER DAMPER W/ METAL LEVER
- 1/2 INCH SPACED FINS SET AT 40 DEGREES
- SIZES OFFERED VARY BY FACE STYLE
- FOR HEATING OR COOLING
- FINISH: WHITE (W) ENAMEL



382



383



384

DAMPER AND DIMENSIONS ARE TYPICAL FOR ALL DEFLECTIONS

JOB NAME: _____	SUBMITTED BY: _____	DATE: 05/26/2023	AMF-01
LOCATION: _____		380 Stamped Steel Ceiling Or Sidewall Register	
ARCHITECT: _____			
ENGINEER: _____			
CONTRACTOR: _____			