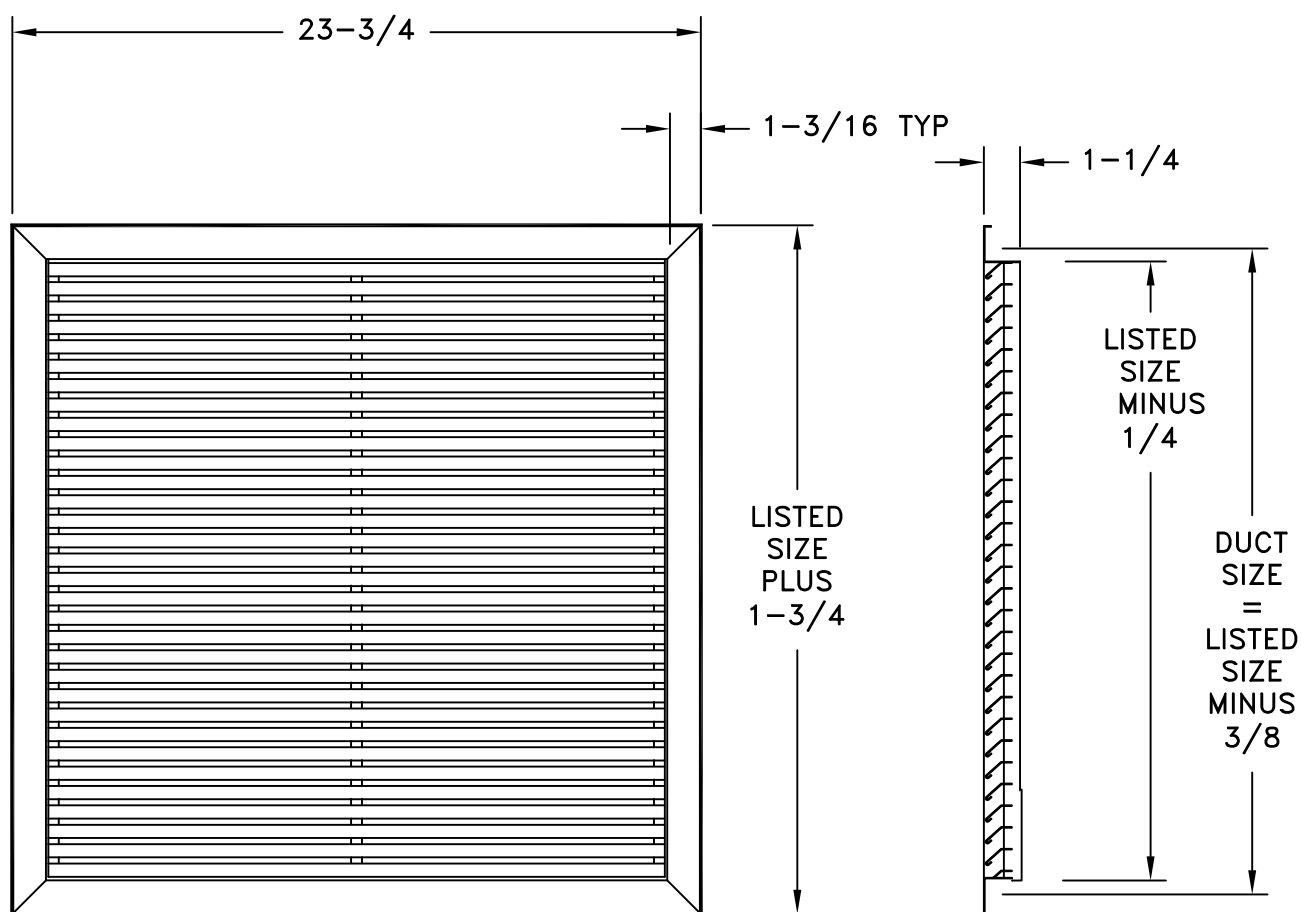


- FITS STANDARD T-BAR CEILING SYSTEMS
- 35 DEGREE DEFLECTION ANGLE
- BARS 3/4 INCH ON CENTERS
- FINISH: BAKED WHITE (W) ENAMEL



JOB NAME: _____	SUBMITTED BY: _____	DATE: 09/09/2014	AMF-70
LOCATION: _____		470TW	
ARCHITECT: _____		Steel	
ENGINEER: _____		Return Air Grille	
CONTRACTOR: _____		T-Bar Lay-In	