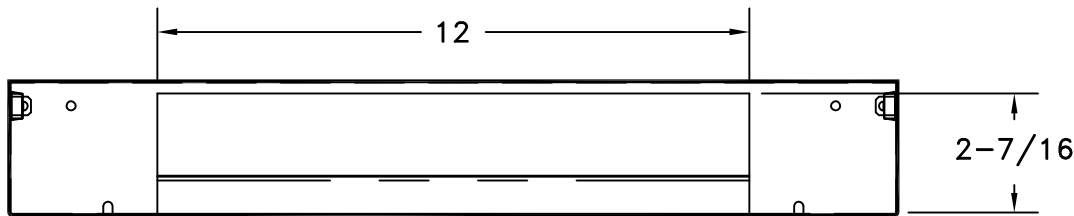
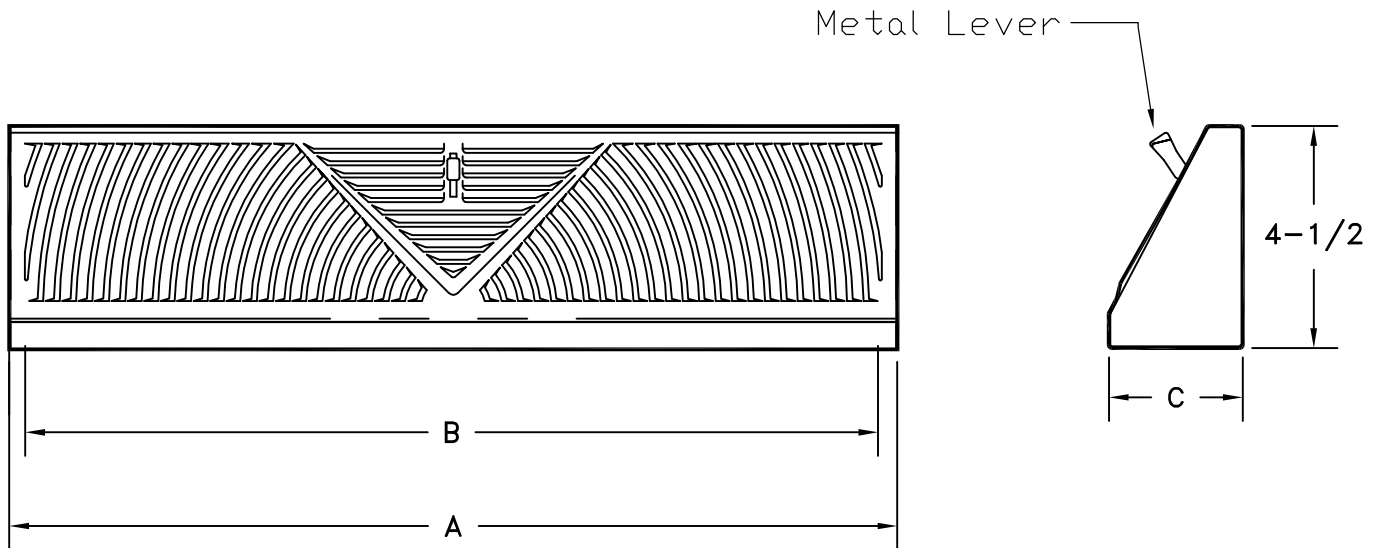


- ALL STEEL CONSTRUCTION
- DESIGNED TO BLANKET WALLS AND WINDOWS FROM BASEBOARD INSTALLATIONS
- SNAP IN FACE FOR EASE OF INSTALLATION
- FINISH: WHITE (W) Or BROWN (B) ENAMEL



BOTTOM VIEW

MODEL	A	B	C	FREE AREA SQ INCH
3015	15	14 3/8"	2 3/4"	32
3018	18	17 3/8"	2 13/16"	38

JOB NAME: _____	SUBMITTED BY: _____	DATE: 09/08/2014	AMF-11
LOCATION: _____		3015/3018	
ARCHITECT: _____		Perimeter Baseboard Diffuser	
ENGINEER: _____		Listed Width= 15" & 18"	
CONTRACTOR: _____			